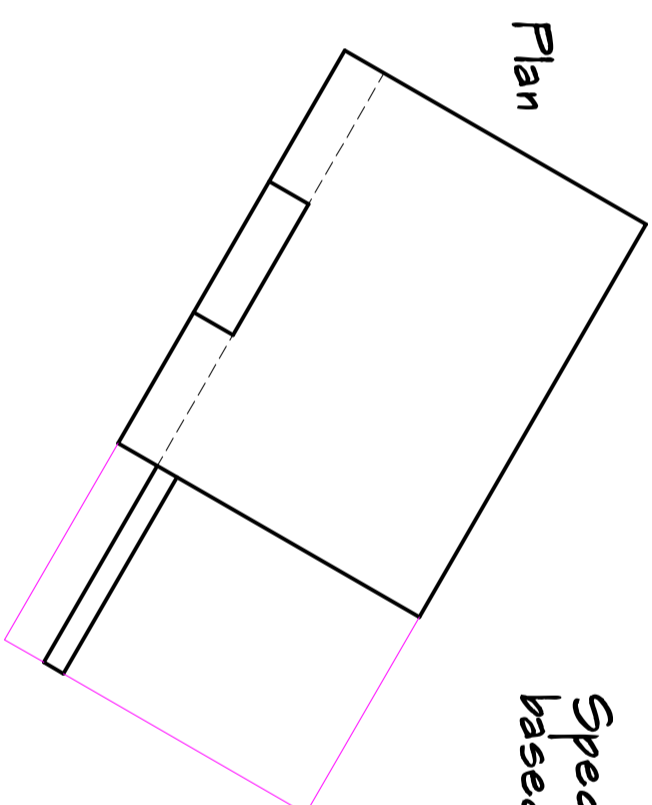
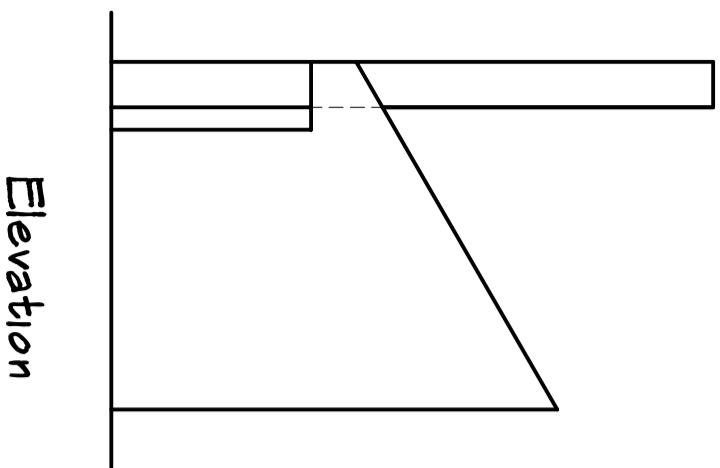
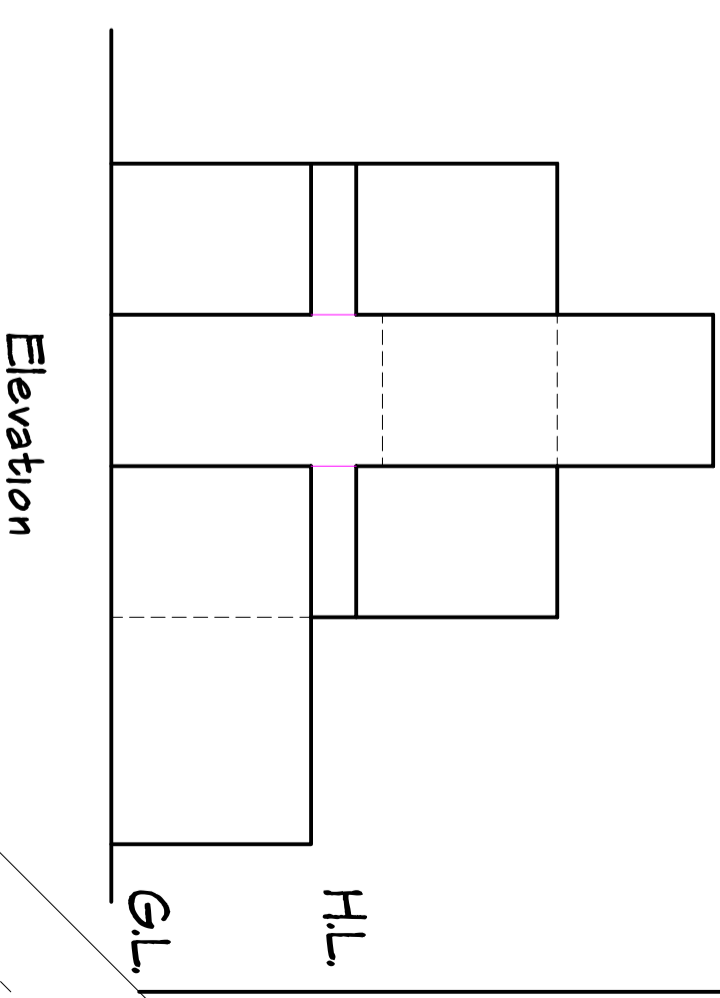


P.P.



Specify the Station Point, draw a perspective
based on the given Plan & Elevation

+ S.P.



Name: